

## NF P01-013 Testing Report

Report Number KNFP010132103  
Revision Number -

Issue Date 26.03.2021  
Revision Date -

**Customer** : KOZZA RAILING SYSTEMS

**Report Number** : KNFP010132103

**Name and definition of the sample** : KE 105 -Railing

**Manufacturer** : BESAN METAL İNŞ. TAAH. SAN. VE DIŞ TIC. LTD STI.  
Ziya Gökalp.A-1 Blok, Bıksan Sanayi Sitesi 25-28,34490 İkitelli  
OSB/BAŞAKŞEHİR/İSTANBUL

**Production Date** : 2021

**Test Date** : 25.03.2021 – 26.03.2021

**Procedure** : NF P01-013:1998-08 Railings tests - Determination Of The  
Mechanical Strength Under Distributed Static Loads and  
Determination Of The Mechanical Strength Under Dynamic Loads

Testing and / or measurement results, the expanded measurement uncertainty (in case of) an integral part of this certificate and the test methods given in the following pages. Test results can only belong to the given samples.



Seal

Date

31.03.2021

Responsible Person

Emrullah YANMAZ

Approved by

Fecri TEKEŞ

## NF P01-013 Testing Report

Report Number KNFP010132103  
Revision Number -

Issue Date 26.03.2021  
Revision Date -

### Sample Description

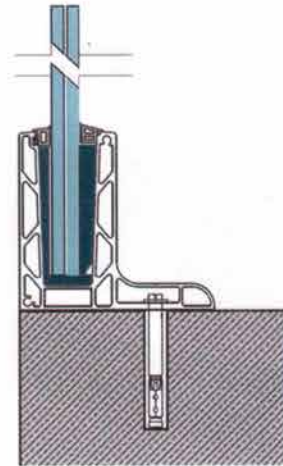
The railing system consists of the parts listed below.

Total length: 1000mm

Height: 1200mm

MODEL – KE 105			
NO	DESCRIPTION OF GOODS	RAW MATERIALS	Quantity
1	10+1,52+10mm GLASS	10+1.52+10 GRINDING + LAMINATED GLASS (1200 Height x 1000 Width x 21.52 Thickness)	2
2	8+1,52+8mm GLASS	8+1.52+8 GRINDING + LAMINATED GLASS (1200 Height x 1000 Width x 17.52 Thickness)	2
3	6+1,52+6mm GLASS	6+1.52+6 GRINDING + LAMINATED GLASS (1200 Height x 1000 Width x 13.52 Thickness)	2
4	KE 105 Balustrade Profile (1 Meter)	Aluminum 6063 T6	6
5	M10 Anchors	Total of 3 anchors for 1 meter with an interval of 300mm	18
6	Green Installation Plastics for 10+1,52+10mm Glass	ABS HI121H Plastik mechanism to ensure the perpendicularity of glass.	8
7	Blue Installation Plastics for 8+1,52+8mm Glass	ABS HI121H Plastik mechanism to ensure the perpendicularity of glass.	8
8	Red Installation Plastics for 6+1,52+6mm Glass	ABS HI121H Plastik mechanism to ensure the perpendicularity of glass.	8
11	Compression and outside rubber	Total of 2 pieces (each one has a length of 1 meter) for each profile.	12

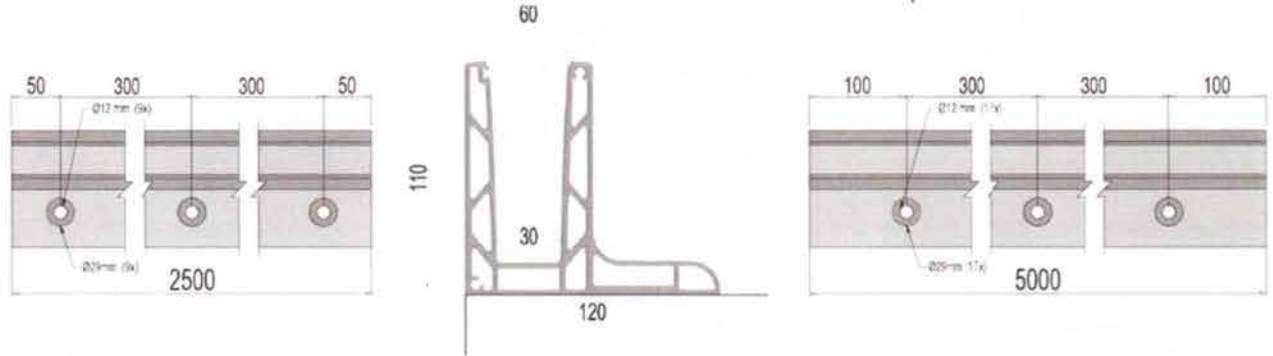
### Sample schematic drawing of the product



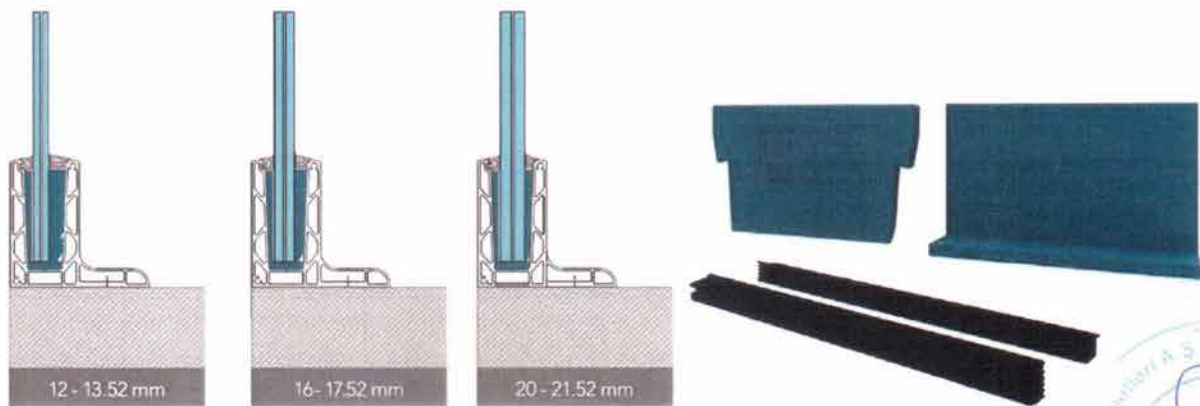
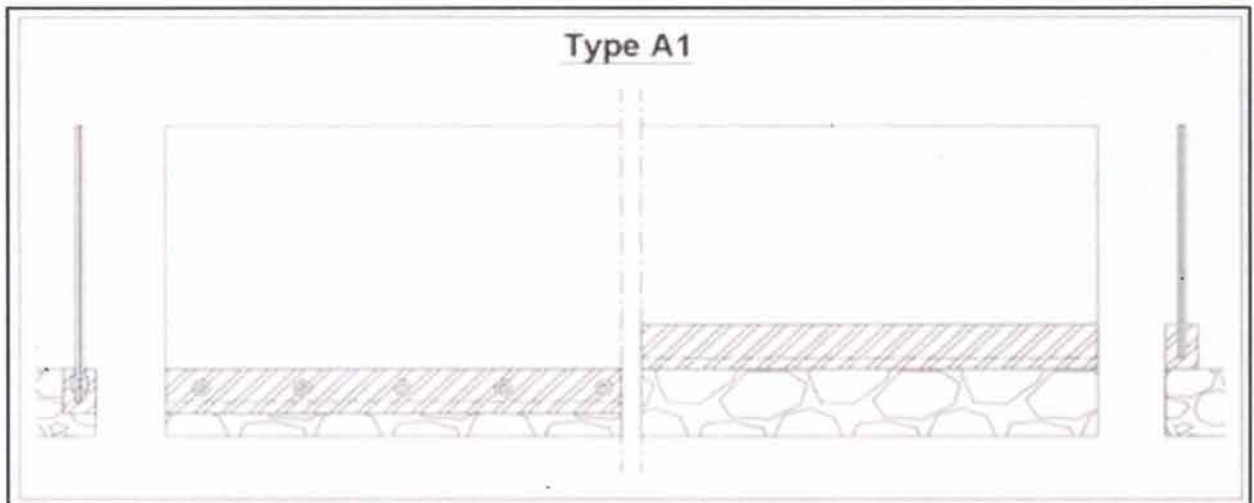
## NF P01-013 Testing Report

Report Number KNFP010132103  
Revision Number -

Issue Date 26.03.2021  
Revision Date -



KE 105 Balustrade profile were tested for three glass thicknesses (13.52mm, 17.52mm and 21.52mm)



Kiwa Belgelendirme Hizmetleri A.Ş.  
ITOSB 9. Cadde No:15 Tepeören Tuzla - İstanbul / Türkiye  
Tel: +90 216 593 25 75; Fax: +90 216 593 25 74  
www.kiwa.com.tr

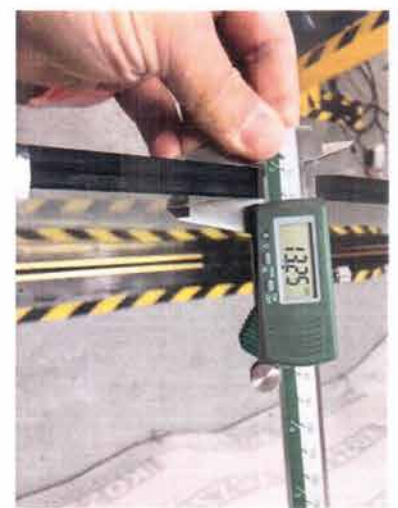


## NF P01-013 Testing Report

Report Number KNFP010132103  
Revision Number -

Issue Date 26.03.2021  
Revision Date -

### Test Photos



## NF P01-013 Testing Report

Report Number KNFP010132103  
Revision Number -

Issue Date 26.03.2021  
Revision Date -

### Test Equipments

Equipment	Serial Number	Certificate No	Traceability
Fixing unit	Besan Test Ünitesi	-	BESAN
Load cell	Radwag / 457379	-	-
Digital Caliper	Insize / X1203202332	20104141-10/02-21	AB-0214-K
Meter	Fisko / 20	20104142-10/02-21	AB-0214-K
Thermometer	Life Net / HTC-2	20104143-10/02-21	AB-0214-K

### Determination Of The Mechanical Strength Under Distributed Static Loads Test method

According to NF P01-013:1998-08 standard, the product is mounted on 2 places on the flat surface to test according to the actual usage area of the product. Reference points for product relocatability have been set. A load unit was prepared to apply a horizontal load to the product at 20 cm intervals 3 points.

The intended use of the product is for public buildings;

As a step 1, 1700N/m load was applied to the product for 3 minutes as a preload. We observed changes in the product.

As a second step 2400N/m load was applied to the product. We observed changes in the product.

Verification of maximum permanent set "a" after removal of safety load using the following equation:

$$a = \frac{8 \cdot X}{1000}$$

where: X= height of sample for fixing point;

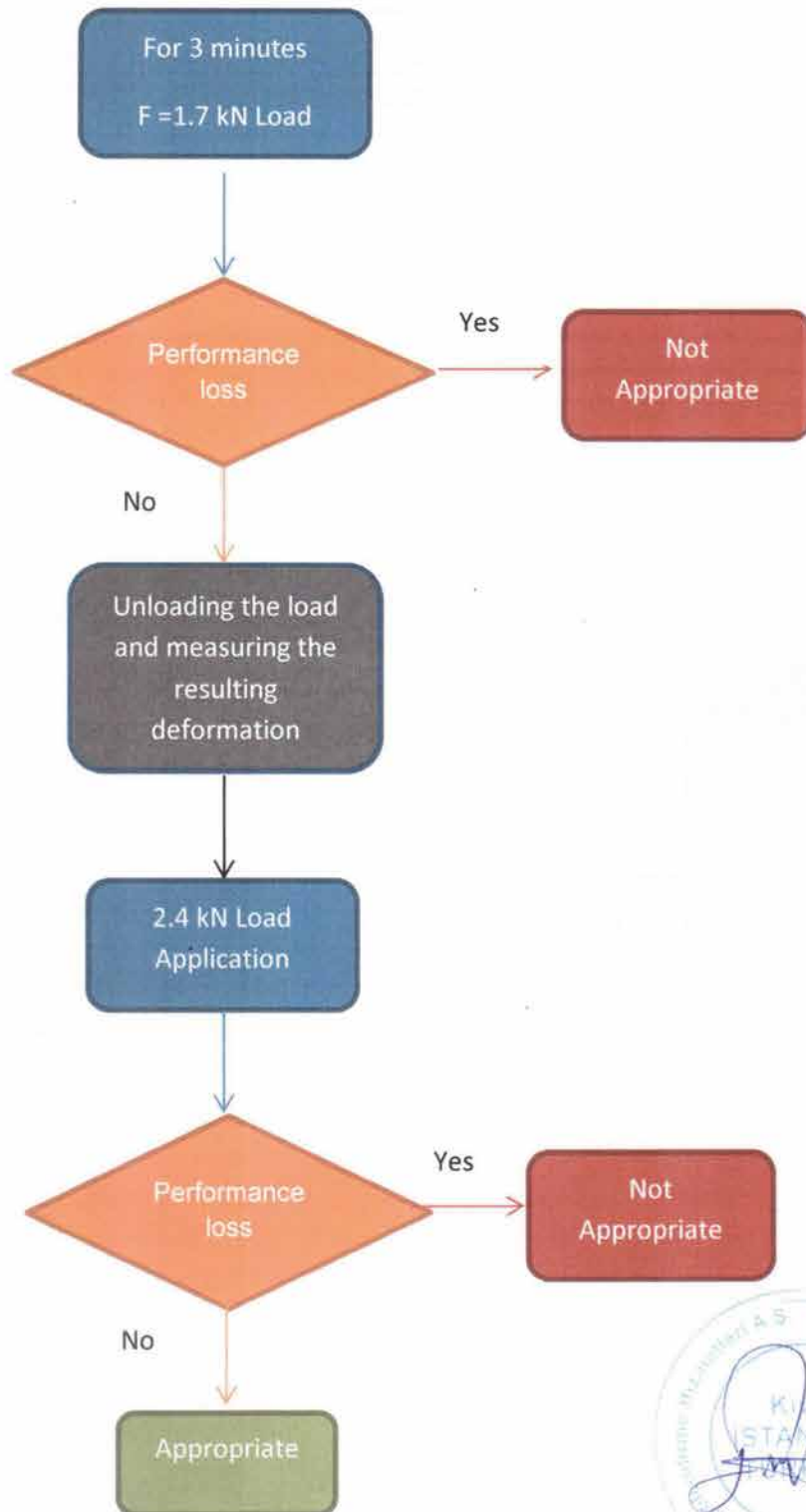


# NF P01-013 Testing Report

Report Number KNFP010132103  
Revision Number -

Issue Date 26.03.2021  
Revision Date -

## Test Flow Chart



## NF P01-013 Testing Report

Report Number KNFP010132103  
Revision Number -

Issue Date 26.03.2021  
Revision Date -

Classes	Special For Usage Areas	Pe Load
A	Housing, apartment	0,6 kN/ml
B	Offices	0,6 kN/ml
C1	Meeting place equipped with tables	0,6 kN/ml
C2	Meeting place with fixed seats	1,0 kN/ml
C3	Barrier-free meeting place	1,0 kN/ml
C4	Meeting place that allows sportive activities	1,0 kN/ml
C5	Meeting place that accepts large numbers of crowds	3,0 kN/ml
D	Commercial	1,0 kN/ml

### Environmental conditions during the test.

Ambient temperature	(17 ± 4) °C
Relative humidity	(22 ± 5) %

### Test Results

Load type	Load amount	Standby time	Glass thickness(mm)	Deformation amount of glass(mm)	Result (1)	
Full load	2400N/m	-	21,52	-	4	Compliant
	2400N/m	-	17,52	-	4	Compliant
	2400N/m	-	13,52	-	4	Compliant
Front load	1700N/m	3 dk/min	21,52	15	4	Compliant
	1700N/m	3 dk/min	17,52	40	4	Compliant
	1700N/m	3 dk/min	13,52	15	4	Compliant
Max Load.	2358N/m	-	21,52	-	4	Compliant
	2252N/m	-	17,52	-	4	Compliant
	2000N/m	-	13,52	-	4	Compliant

#### (1) Result:

- 1) The loss of performance in the product is appropriate
- 2) Performance loss in the product Not suitable
- 3) Broken glass has been observed.
- 4) It has been observed that there is no breakage in the glass

## NF P01-013 Testing Report

Report Number KNFP010132103  
Revision Number -

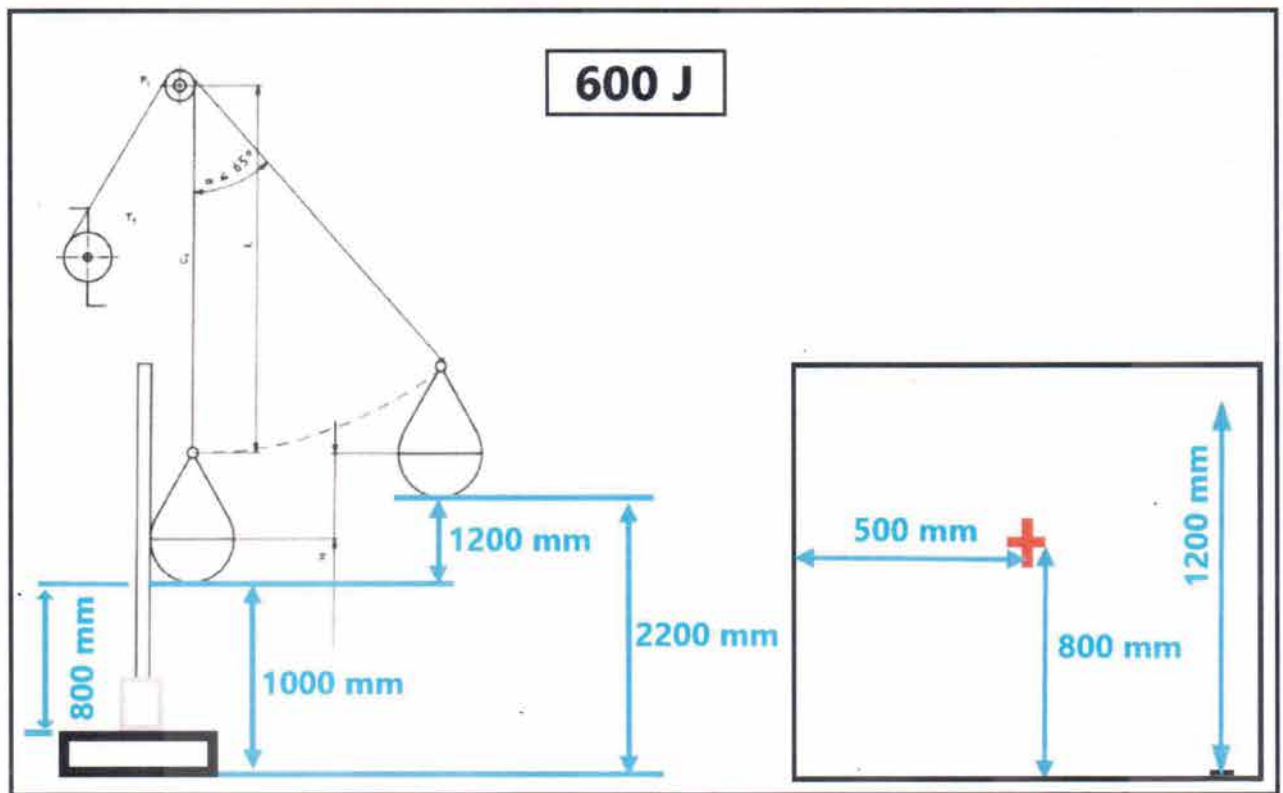
Issue Date 26.03.2021  
Revision Date -

### Determination Of The Mechanical Strength Under Dynamic Loads Test method

According to NF P01-013:1998-08 standard, the product is mounted on 2 places on the flat surface to test according to the actual usage area of the product. Reference points for product relocatability have been set.

The field of use is publicly determined product;

The product was released from the height of 1200 mm, with a diameter of 40 cm and a weight of 50 kg, filled with glass balls with a diameter of 3 mm, and the resulting changes in the resultant impact were observed.





## NF P01-013 Testing Report

Report Number KNFP010132103  
Revision Number -

Issue Date 26.03.2021  
Revision Date -

### Environmental conditions during the test.

Ambient temperature	(11 ± 4) °C
Relative humidity	(43 ± 5) %

### Test Results

Impact area	Drop height	Glass thickness(mm)	Energy	Deformation amount of glass(mm)	Result (1)
Midpoint	1200mm	21,52	600J	75	Compliant
	1200mm	17,52	600J	80	Compliant
	1200mm	13,52	600J	50	Compliant

**(1) Result:**

- 1) The loss of performance in the product is appropriate
- 2) Performance loss in the product Not suitable
- 3) Broken glass has been observed.
- 4) It has been observed that there is no breakage in the glass

Test	Use	Result
Dynamic impact with 50 kg soft body	Public	Compliant

The tests on the above referenced products are performed in the established test rigs of KOZZA RAILING SYSTEMS who are in the address of Ziya Gökalp.A-1 Blok, Bixsan Sanayi Sitesi 25-28,34490 İkitelli OSB / Başakşehir / İstanbul / Türkiye by assembling the products on these test rigs.

--0--